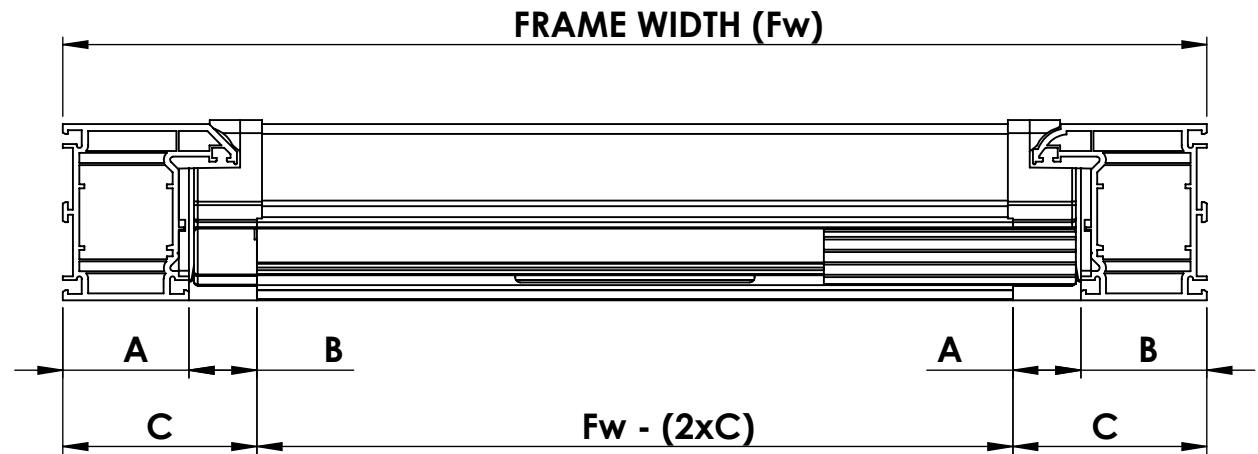
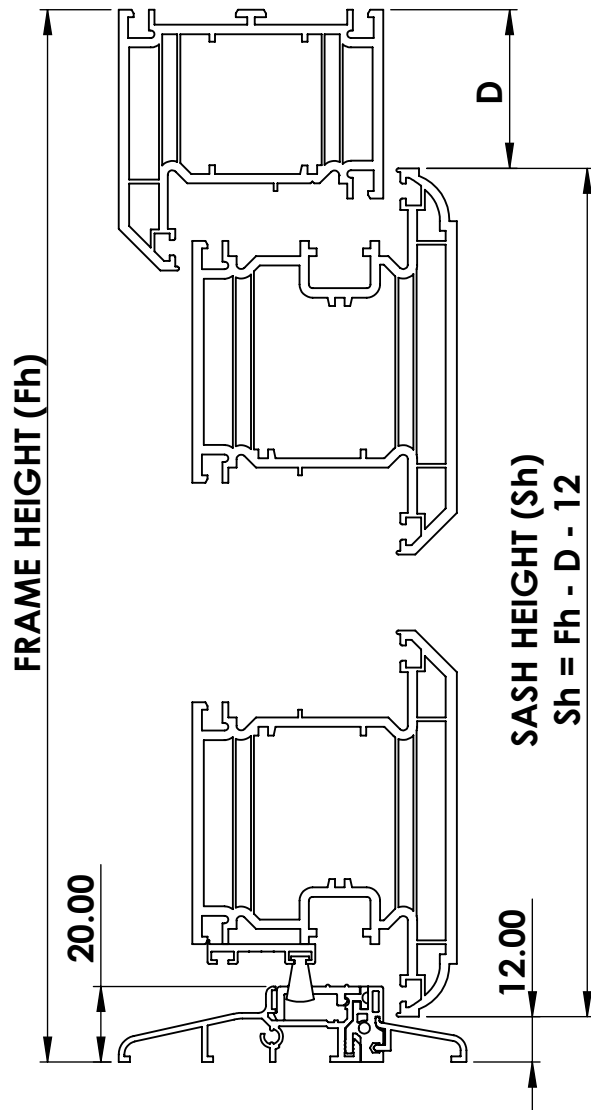


Technical Specification Sheet

LOW THRESHOLD - LTH1 CUTTING SIZES



SYSTEM	STYLE	A	B	C	D	PART NO
Veka Halo S10	O & C	52	29	81	44	2002110
Veka FS 70	FS	52	27	79	44	2002111
Veka M70 (VM70/15)	Matrix	60	31	91	52	2002112
Selecta	A70 (O&C)	50	27	77	42	2002114
Rehau	T70 (O&C)	50	27	77	44	2002114
Kommerling	O70	57	27	84	44	2002116
KBE	C70	57	27	84	44	2002117
R760 Rehau (R760)	Composite	52	27	79	NA	2002120
Veka (VCDS)	Composite	52	28	80	NA	2002121
SW247 Swish/Aluplast	Ovolo	55	27	82	47	2002122
Aluplast	Bevelled	55	27	82	47	2002123
Eurocell (EL)	Logik	55	30	85	47	2002126
Linear	O & C	57	28	85	49	2002128
Linear (LSW018)	Composite	47	28	75	NA	2002129
Spectus 70	Ovolo	50	27	77	42	2002131



JUNE 2022

LTH1_GEN_BUILD2022