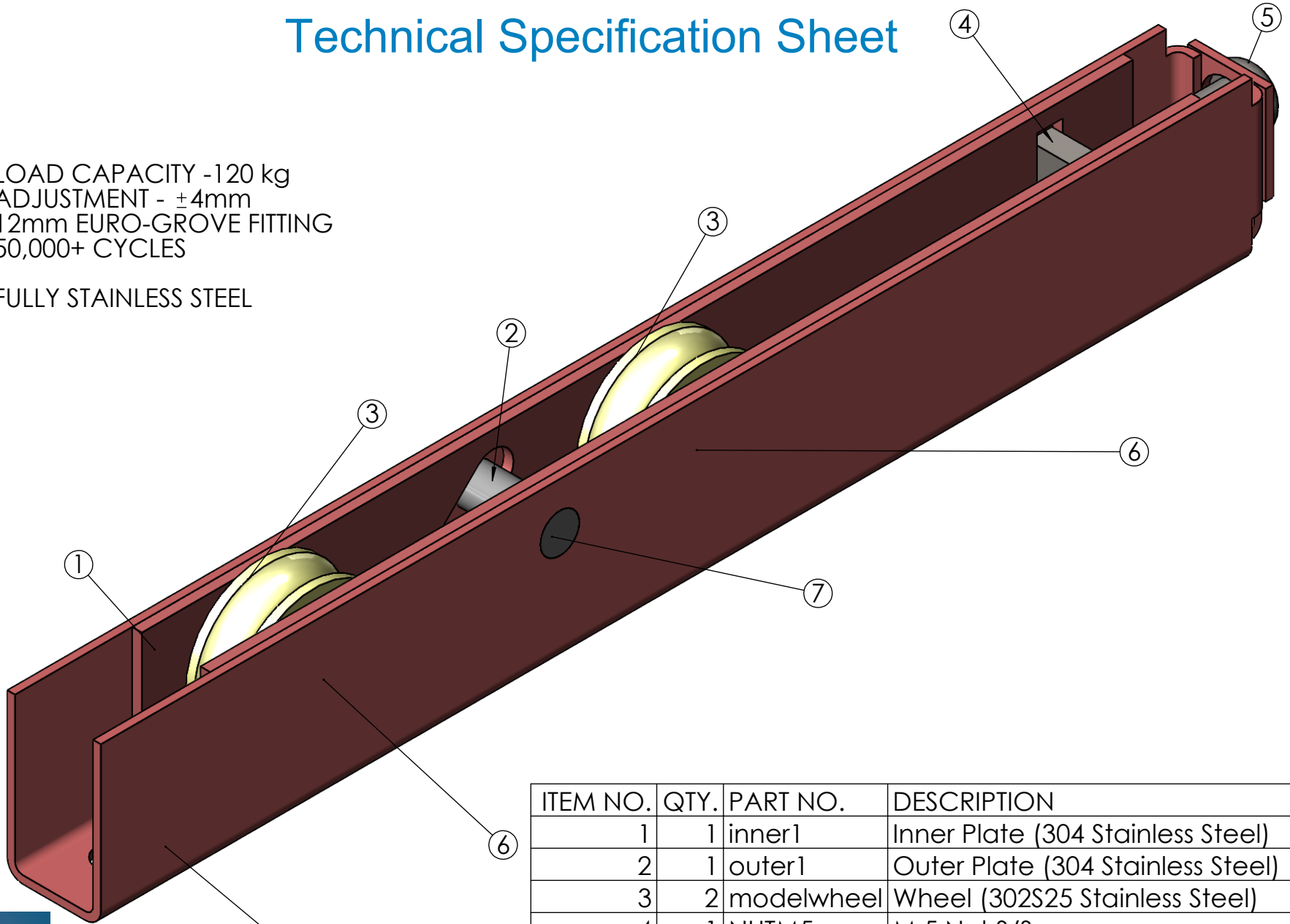


Technical Specification Sheet

LOAD CAPACITY -120 kg
 ADJUSTMENT - ± 4 mm
 12mm EURO-GROVE FITTING
 50,000+ CYCLES

FULLY STAINLESS STEEL



ITEM NO.	QTY.	PART NO.	DESCRIPTION
1	1	inner1	Inner Plate (304 Stainless Steel)
2	1	outer1	Outer Plate (304 Stainless Steel)
3	2	modelwheel	Wheel (302S25 Stainless Steel)
4	1	NUTM5	M 5 Nut S/S
5	1	M5screw	M5x25 Pozi Pan Head Screw S/S
6	2	4mmpin	4 mm Knurled Pin S/S
7	1	5mmpin	5 mm Knurled Pin S/S



Technical Specification Sheet

