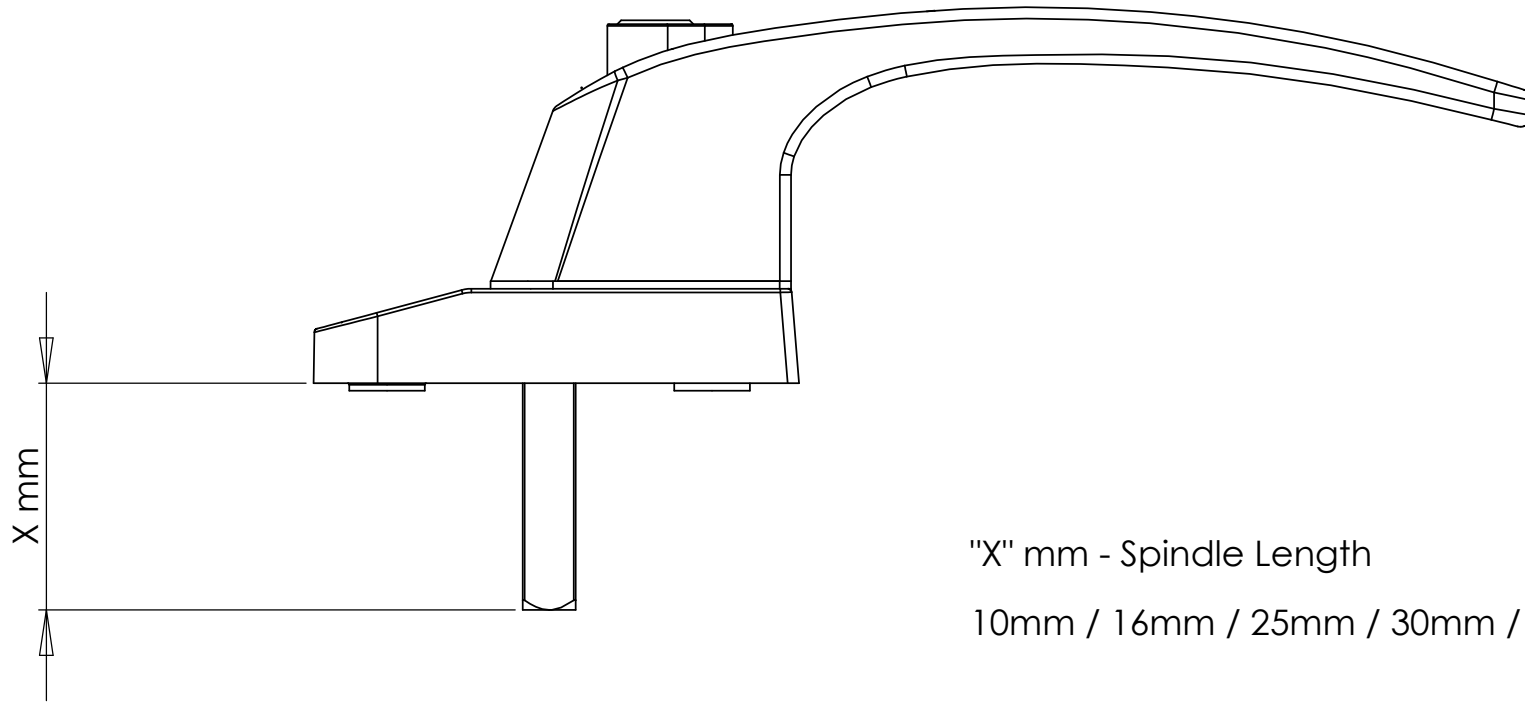


Espagnolette Handle



"X" mm - Spindle Length

10mm / 16mm / 25mm / 30mm / 40mm